

### Product Information

©2020 Hangzhou Hikvision Digital Technology Co., Ltd. All rights reserved.

About this Manual  
The Manual includes instructions for using and managing the Product. Pictures, charts, images and all other information hereinafter are for description and explanation only. The information contained in the Manual is subject to change, without notice, due to firmware updates or other reasons. Please find the latest version of this Manual at the Hikvision website (<https://www.hikvision.com/>).

Please use this Manual with the guidance and assistance of professionals trained in supporting the Product.  
Trademarks  
HIKVISION and other Hikvision's trademarks and logos are the properties of Hikvision in various jurisdictions. Other trademarks and logos mentioned are the properties of their respective owners.

Disclaimer  
TO THE MAXIMUM EXTENT PERMITTED BY APPLICABLE LAW, THIS MANUAL AND THE PRODUCT DESCRIBED, WITH ITS HARDWARE, SOFTWARE AND FIRMWARE, ARE PROVIDED "AS IS" AND "WITH ALL FAULTS AND ERRORS". HIKVISION MAKES NO WARRANTIES, EXPRESS OR IMPLIED, INCLUDING WITHOUT LIMITATION, MERCHANTABILITY, SATISFACTORY QUALITY, OR FITNESS FOR A PARTICULAR PURPOSE. THE USE OF THE PRODUCT BY YOU IS AT YOUR OWN RISK. IN NO EVENT WILL HIKVISION BE LIABLE TO YOU FOR ANY SPECIAL, CONSEQUENTIAL, INCIDENTAL, OR INDIRECT DAMAGES, INCLUDING, AMONG OTHERS, DAMAGES FOR LOSS OF BUSINESS PROFITS, BUSINESS INTERRUPTION, OR LOSS OF DATA, CORRUPTION OF SYSTEMS, OR LOSS OF DOCUMENTATION, WHETHER BASED ON BREACH OF CONTRACT, TORT (INCLUDING NEGLIGENCE), PRODUCT LIABILITY, OR OTHERWISE, IN CONNECTION WITH THE USE OF THE PRODUCT, EVEN IF HIKVISION HAS BEEN ADVISED OF THE POSSIBILITY OF SUCH DAMAGES. YOU ACKNOWLEDGE THAT THE NATURE OF THE INTERNET PROVIDES FOR INHERENT SECURITY RISKS, AND HIKVISION SHALL NOT TAKE ANY RESPONSIBILITIES FOR ABNORMAL OPERATION, PRIVACY LEAKAGE OR OTHER DAMAGES RESULTING FROM CYBER-ATTACK, HACKER ATTACK, VIRUS INFECTION OR OTHER INTERNET SECURITY RISKS; HOWEVER, HIKVISION WILL PROVIDE TIMELY TECHNICAL SUPPORT IF REQUIRED.  
YOU AGREE TO USE THIS PRODUCT IN COMPLIANCE WITH ALL APPLICABLE LAWS, AND YOU ARE SOLELY RESPONSIBLE FOR ENSURING THAT YOUR USE CONFORMS TO THE APPLICABLE LAW. ESPECIALLY, YOU ARE RESPONSIBLE, FOR USING THIS PRODUCT IN A MANNER THAT DOES NOT INFRINGE ON THE RIGHTS OF THIRD PARTIES, INCLUDING WITHOUT LIMITATION, RIGHTS OF PUBLICITY, INTELLECTUAL PROPERTY RIGHTS, OR DATA PROTECTION AND OTHER PRIVACY RIGHTS. YOU SHALL NOT USE THIS PRODUCT FOR ANY PROHIBITED END-USES, INCLUDING THE DEVELOPMENT OR PRODUCTION OF WEAPONS OF MASS DESTRUCTION, THE DEVELOPMENT OR PRODUCTION OF CHEMICAL OR BIOLOGICAL WEAPONS, ANY ACTIVITIES IN THE CONTEXT RELATED TO ANY NUCLEAR EXPLOSIVE OR UNSAFE NUCLEAR FUEL-CYCLE, OR IN SUPPORT OF HUMAN RIGHTS ABUSES.  
IN THE EVENT OF ANY CONFLICTS BETWEEN THIS MANUAL AND THE APPLICABLE LAW, THE LATER PREVAILS.

CE This product and - if applicable - the supplied accessories too are marked with "CE" and comply therefore with the applicable harmonized European standards listed under the RE Directive 2014/53/EU, the EMC Directive 2014/30/EU, the LVD Directive 2014/35/EU, the RoHS Directive 2011/65/EU.

2012/19/EU (WEEE directive): Products marked with this symbol cannot be disposed of as unsorted municipal waste in the European Union. For proper recycling, return this product to your local supplier upon the purchase of equivalent new equipment, or dispose of it at designated collection points. For more information see: [www.recyclethis.info](http://www.recyclethis.info)

2006/66/EC (battery directive): This product contains a battery that cannot be disposed of as unsorted municipal waste in the European Union. See the product documentation for specific battery information. The battery is marked with this symbol, which may include lettering to indicate cadmium (Cd), lead (Pb), or mercury (Hg). For proper recycling, return the battery to your supplier or to a designated collection point. For more information see: [www.recyclethis.info](http://www.recyclethis.info)

### INSTALLATION CAUTION

- The additional force shall be equal to three times the weight of the equipment but not less than 50N. The equipment and its associated mounting means shall remain secure during the installation. After the installation, the equipment, including any associated mounting plate, shall not be damaged.
- Install the equipment according to the instructions in this manual.
- To prevent injury, this equipment must be securely attached to the wall in accordance with the installation instructions.
- Keep straight down when using the equipment.
- To prevent possible hearing damage, do not listen at high volume levels for long periods.

### ELECTRICAL SAFETY

- In the use of the product, you must be in strict compliance with the electrical safety regulations of the nation and region.
- The equipment shall not be exposed to dripping or splashing and that no objects filled with liquids, such as vases, shall be placed on the equipment.

### Diagram Reference

#### 1 Appearance

- a. Buzzer Control
- a1: Silence a2: Voiced
- b. Buzzer

#### 2 Installation

- Use a tool to loosen the bottom screw and open the front and rear panels.
- Secure one screw.
- Adjust the installation angle according to the gradienter.
- Secure the remaining screws.
- Tighten the bottom screw to close the front and rear panels.
- Wiring to the control panel.

#### 3 Power on

Wiring to the control panel to power on the device.

### Specification

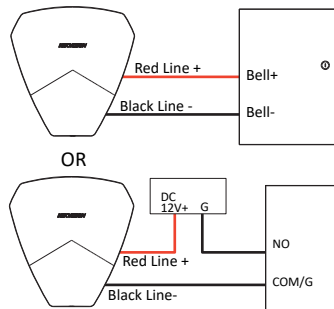
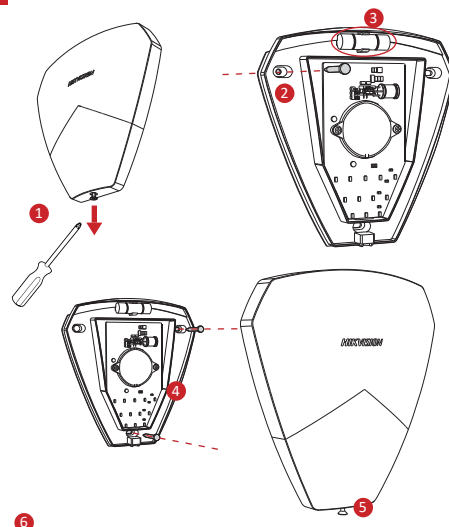
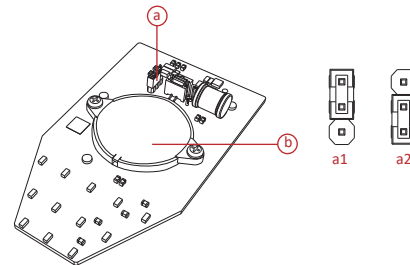
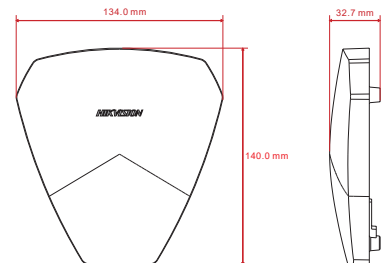
Model	Wired Sounder
Power supply	DC12 V, 0.22 A Max (Support DC 8 to 16 V)
Static consumption	0.96 W
Buzzer	105 dB/30 cm
Operating temperature	-20°C to 60°C
Operating humidity	10% to 90%
Dimension	140 × 134 × 33 (mm)
Weight	185g

FCC statements: This device complies with part 15 of the FCC Rules. Operation is subject to the following two conditions: (1) this device may not cause harmful interference, and (2) this device must accept any interference received, including interference that may cause undesired operation.  
FCC Information  
Please take attention that changes or modification not expressly approved by the party responsible for compliance could void the user's authority to operate the equipment.  
FCC compliance: This equipment has been tested and found to comply with the limits for a Class A digital device, pursuant to part 15 of the FCC Rules. These limits are designed to provide reasonable protection against harmful interference when the equipment is operated in a commercial environment. This equipment generates, uses, and can radiate radio frequency energy and, if not installed and used in accordance with the instruction manual, may cause harmful interference to radio communications. Operation of this equipment in a residential area is likely to cause harmful interference in which case the user will be required to correct the interference at his own expense.  
FCC Conditions  
This device complies with part 15 of the FCC Rules. Operation is subject to the following two conditions:  
1. This device may not cause harmful interference.  
2. This device must accept any interference received, including interference that may cause undesired operation.



Warning  
This is a class A product. In a domestic environment this product may cause radio interference in which case the user may be required to take adequate measures.

The power of wired sounder is supplied by the auxiliary power output of hybrid control panel on the model of DS-PHA64-M, DS-PHA64-W4M. The auxiliary power supply of the hybrid control panel meets LPS.



### Diagrama de referencia

#### 1 Apariencia

- a. Control del timbre
- a1: silencio a2: sonoro
- b. Timbre

#### 2 Instalación

- Utilice una herramienta adecuada para aflojar el tornillo inferior y abrir los paneles delantero y trasero.
- Fije el panel trasero colocando uno de los tornillos.
- Ajuste el ángulo de instalación mediante el nivel.
- Coloque el tornillo restante.
- Apriete el tornillo inferior para cerrar los paneles delantero y trasero.
- Conecte al panel de control mediante un cable.

#### 3 Encendido

Conecte al panel de control mediante un cable, de manera de alimentar el dispositivo.

### Especificación

Modelo	Sirena cableada
Fuente de alimentación	12 VCC y 0,22 A como máx. (Admite 8-16 VCC)
Consumo estático	0,96 W
Timbre	105 dB a 30 cm
Temperatura de funcionamiento	-20 °C a 60 °C
Humedad de funcionamiento	10 % a 90 %
Dimensiones	140 × 134 × 33 mm
Peso	185 g

## Čeština

### Referenční tabulka

#### 1 Vzhled

- a. Řízení bzučáku
- a1: Ticho a2: Znění
- b. Bzučák

#### 2 Montáž

- Pomocí nářadí uvolněte spodní šroub a otevřete přední a zadní panel.
- Zajistěte jeden šroub.
- Pomocí vodováhy nastavte montážní úhel.
- Zajistěte zbývající šrouby.
- Utážením spodního šroubu připevňte přední a zadní panel.
- Připojte kabeláž k ústředně.

#### 3 Zapnutí

Zařízení se napájí prostřednictvím kabeláže připojené k ústředně.

### Technické údaje

Model	Kabelová sítěna
Napájení	12 V stejnosm., max. 0,22 A (Podpora 8 až 16 V stejnosm.)
Statická spotřeba	0,96 W
Bzučák	105 dB / 30 cm
Provozní teplota	-20 °C až 60 °C
Provozní vlhkost	10 % až 90 %
Rozměry	140 × 134 × 33 mm
Hmotnost	185 g

### Referências do diagrama

#### 1 Apresentação

- a. Controle da campainha
- a1: Silêncio a2: Com voz
- b. Campainha

#### 2 Instalação

- Use uma chave de fenda para afrouxar o parafuso inferior e abrir os painéis frontal e traseiro.
- Prenda um parafuso.
- Ajuste o ângulo de instalação de acordo com o instrumento de inclinação.
- Prenda os parafusos restantes.
- Aperte o parafuso inferior para fechar os painéis frontal e traseiro.
- Fiação para o painel de controle.

#### 3 Ligar o painel

Fiação para o painel de controle para ligar o dispositivo.

### Especificações

Modelo	Sirene com fio
Fonte de alimentação	12 VCC, 0,22 A máx. (Suporta CC de 8 a 16 V)
Consumo estático	0,96 W
Campainha	105 dB/30 cm
Temperatura de operação	-20 °C a 60 °C
Umidade de operação	10% a 90%
Dimensões	140 × 134 × 33 (mm)
Peso	185 g

## Polski

### Opis diagramu

#### 1 Elementy urządzenia

- a. Sterowanie brzęczykiem
- a1: Wyciszenie a2: Znenienie
- b. Brzęczyk

#### 2 Instalacja

- Korzystając z narzędzia, poluzuj dolną śrubę, a następnie otwórz panel przedni i panel tylny.
- Dokręć jedną śrubę.
- Dostosuj ką t instalacji przy użyciu poziomicy.
- Dokręć pozostałe śruby.
- Dokręć dolną śrubę, aby zamknąć panel przedni i panel tylny.
- Podłącz urządzenie do centrali alarmowej.

#### 3 Włączanie zasilania

Aby zapewnić zasilanie urządzenia, należy je podłączyć do centrali alarmowej.

### Specyfikacje

Model	Przewodowy sygnalizator akustyczny
Zasilanie	12 V DC, maks. 0,22 A (obsługa 8-16 V DC)
Pobór mocy	0,96 W
Brzęczyk	105 dB / 30 cm
Temperatura (użytkowanie)	Od -20°C do 60°C
Wilgotność powietrza (użytkowanie)	Od 10% do 90%
Wymiary	140 × 134 × 33 mm
Waga	185 g



